

THIELE ULTRASTAR G2

Upgraded for
the Future



The UltraStar G2



Improved Reliability

The re-engineered Thiele bagger contributes to enhanced reliability as it reduces down-time by preventing maintenance and unplanned production stops. The result is a smoother, more consistent packaging operation with higher OEE.



Maintenance Efficiency

To streamline the bagger, we reduced the variety of parts and made the bagger's design more accessible. This means quicker replacements, minimized downtime, smaller parts inventory, and reduced maintenance costs.



Longevity and Investment

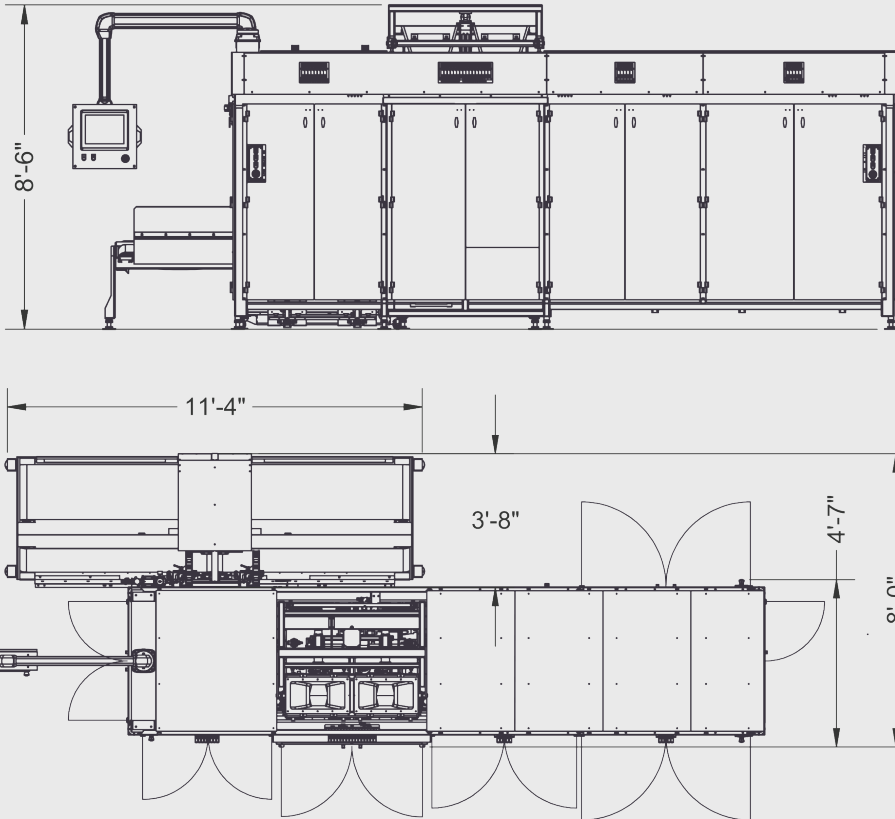
Based on customer feedback and an in-depth analysis of recurring break/fix challenges, transformative upgrades have been made across the complete bagger to maximize value over time and optimize ROI.



FLEXIBLE SYSTEMS
a bw packaging company

THIELE ULTRASTAR G2

Technical Specifications



Production Speed	Up to 38 BPM
Empty Bag Sizes	Face Width: 11"-19" / 297mm - 483mm
Length	14"-40" / 355mm - 1016mm

Operational Features

- Fully integrated PLC control system with common HMI for the complete system including scale and bagger
- Integrated bag monitoring - rejects unacceptable bags
- Internal VPN router for remote troubleshooting
- Integrated on-bag printing systems
- Bag deflation system
- Bag-top registration

Industries Served

- Pet Food
- Seed
- Rice
- Feed
- Fertilizer
- Sugar/Salt
- Powders
- Chemicals

The UltraStar G2 Sets New Standards for Integration, Upgrades, and Compatibility



Integration

Seamlessly combining sealers, scales, and bag hangers into a unified entity, the UltraStar G2 redefines efficiency and performance. Experience the future of bagging with a system that has been engineered to future-proof your packaging line.



Upgrades

If the time isn't right for a full transition, our range of exceptional upgrade choices presents the ideal opportunity to invigorate your current system. Embrace innovation as we breathe new life into your existing setup, ensuring seamless performance for years to come.



Backwards Compatibility

Pioneering over three decades ago, we unveiled the UltraStar with a visionary purpose – to forge a system primed for continuous enhancement. Our commitment to enduring excellence empowers you with seamless, unparalleled backwards compatibility.