

Thiele Series 4601 AeroSeal[®] Bag Closer



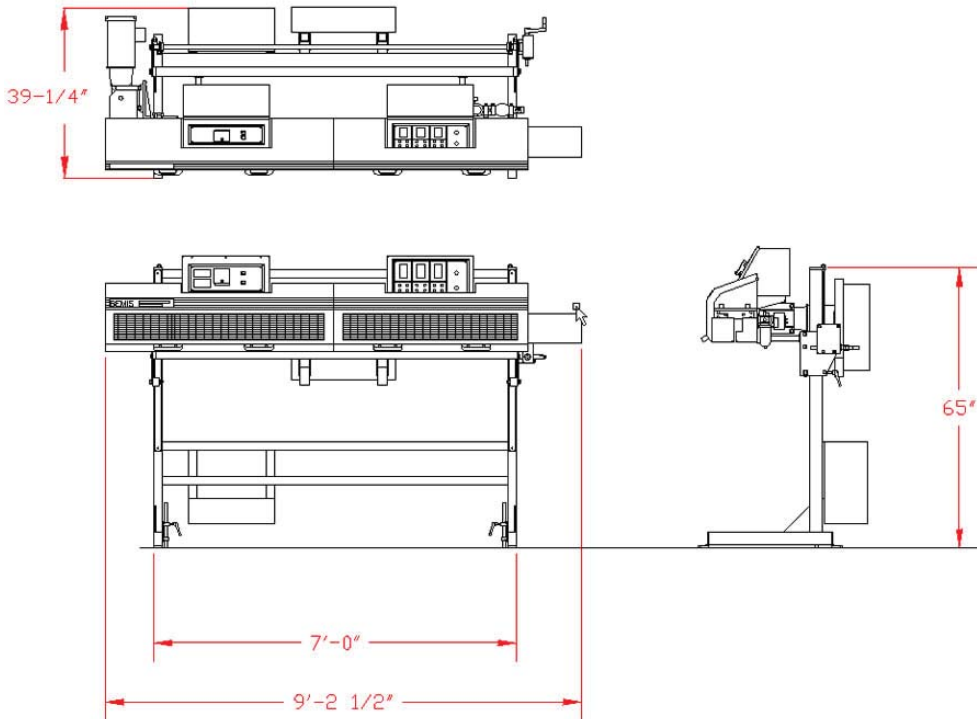
Features

- Electronic heater control - quick and easy temperature adjustment
- Instantaneous speed adjustment
- Fast bag size changeover
- Easy height adjustment while running
- Reliable, durable service with minimal downtime
- Optional quick bag release function

Thiele Series 4601 AeroSeal® Bag Closer

The Thiele Series 4601 AeroSeal Bag Closer is a dual bag closing system that quickly seals pre-glued, multi-wall paper bags.

Thousands of these sealers have been sold and continue to provide consistent, reliable sealing with minimal downtime.



Specifications

Production Speed

25 ft. - 70 ft. per minute (7.6 m - 21.4 m per minute) dependent on bag type and ambient conditions

Bag Construction

Pre-applied adhesive should consist of three or four lines, starting approximately 1/8" (3 mm) from the edge of bag top. Adhesive lines to be approximately 3/16" (4.8 mm) wide with center-to-center distance approximately 3/8" (9mm), depending on dimension of the step.

Dimensions

Length	Standard manual bag entry guide: 9 ft. 4.5 in. (2857.5 mm) Optional 7130 auto infeed: 9 ft. 8.125 in. (2949.6 mm) Optional 7115 auto infeed: 10 ft. 1.5 in. (3086.1 mm)
Width	3 ft. 6 in. (1066.8 mm)
Height	Guard open, no casters: 5 ft. 6.25 in. - 8 ft. 5.688 in. (1682.8 mm - 2565.4 mm) Guard open with casters: 5 ft. 10.688 in. - 8 ft. 5.688 in. (1795.5 mm - 2565.4 mm)

Power Requirements

Input Power	240 volts, 3-phase, 60 hertz, 40 amps max.
Control Circuit	24 VDC, 7.2 amps output generated from 24 VDC power supply form 240 VAC input
Current Draw	240 volts, 40 amps 480 volts, 20 amps (15 KVA transformer required)

Air Requirements

Operating Pressure	5 - 8 psig (34 to 55 kPa)
Line Pressure	80 psi (551 kPa)
Air Use/Cycle	8 standard cubic ft. free air per cycle (225 liters) at 5 to 8 psig (34 - 55 kPa) operating pressure
Pressure Switch Setting	3 psig (34 kPa)
Pressure Relief Valve	14 psig (55 kPa)

Hayssen | Hudson-Sharp | Rose Foregrove | Sandiacre | Schib | Sionato | SYMACH | Thiele